

## PHASE SEQUENCE INDICATOR



CE

**4183 CP**

The **4183 CP** is a Cable Phasing Meter that offers a quick method of measuring voltage and determining phase rotation of underground distribution systems using the capacitive test point of elbow connectors. Most manufacturers of high voltage cable terminations incorporate capacitive test points in their elbow connectors. These test points are designed for measuring purposes.

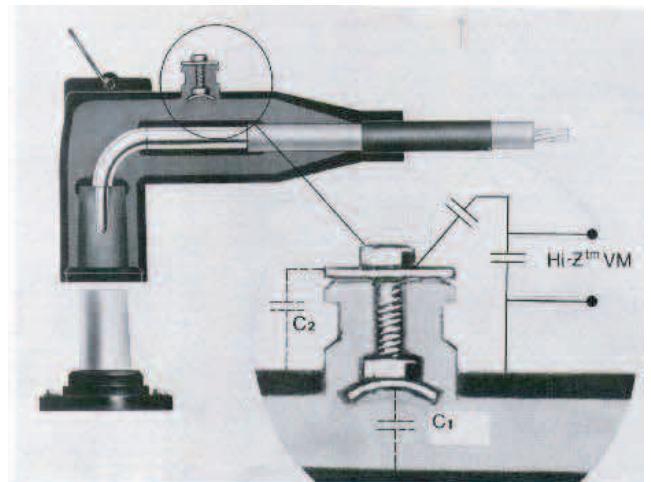
This instrument is battery powered and supplied with a ground and two measuring leads.

### FEATURES

- Safe operates at low voltage.
- Measures system voltage.
- Measures capacitance of test point if system voltage is known.
- Checks phase rotation of cables.
- Phases out cables.
- Rugged - comes with portable case.
- Operates from potential test point of elbow connectors.
- Battery operated.
- Meets EN61000-3 EN61000-4  
EN61326-1 EN55011

### SPECIFICATIONS

Voltage Ranges	0~16kV / 0~32kV
Accuracy	±8% (exclusive of tap capacitance variations)
Tap Capacitance Setting	0.4 to 3.0 pF continuous per channel
Frequency	50 or 60 Hz
Dimensions	250(L) x 190(W) x 110(D)mm
Weight	Approx. 1420g (battery included)
Power Source	1.5V (AA) x 4 Batteries
Accessories	Test Leads Instruction manual Shoulder belt Batteries



### Test leads



STANDARD ELECTRIC WORKS CO., LTD.

NO.106, SU WEI ROAD, PAN CHIAO, TAIPEI HSIEN, TAIWAN, R.O.C.

TEL: 886-2-22563125 FAX: 886-2-22556352 886-2-82573518

http://www.sew.com.tw e-mail: sales@sew.com.tw e-mail: sew@ms10.hinet.net